

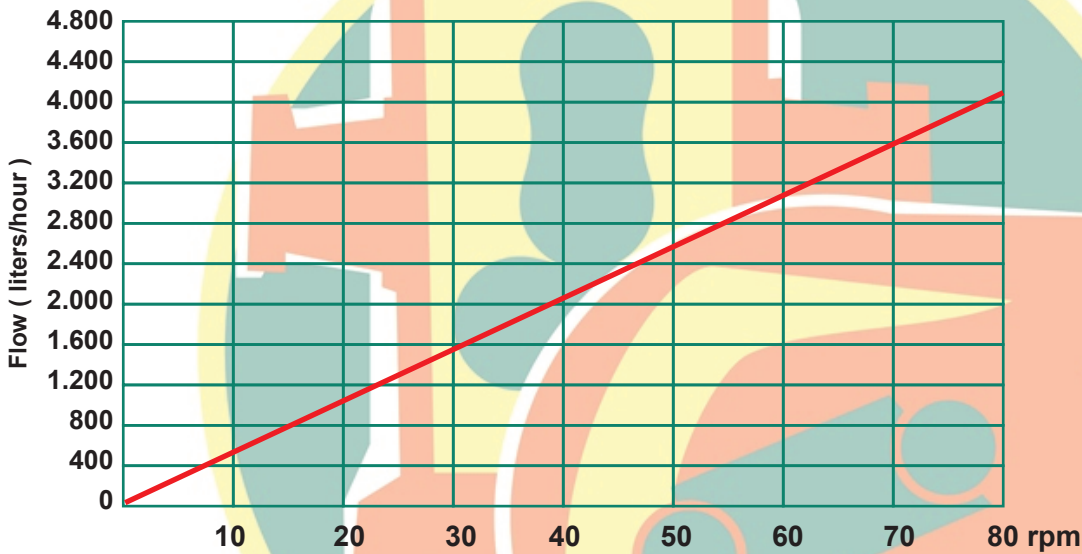


Industrial Peristaltic Pumps

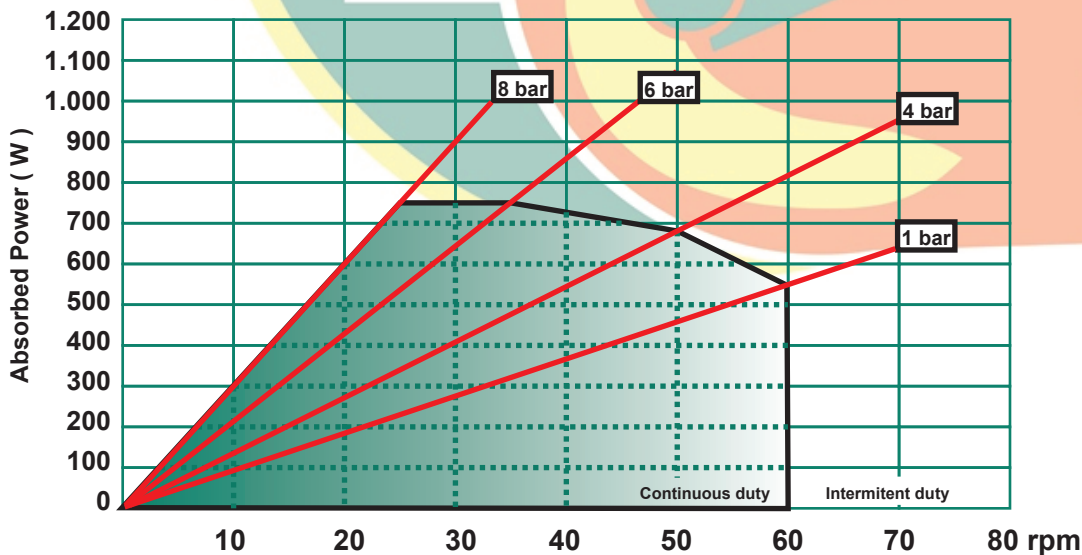
FMP-40 Data sheet



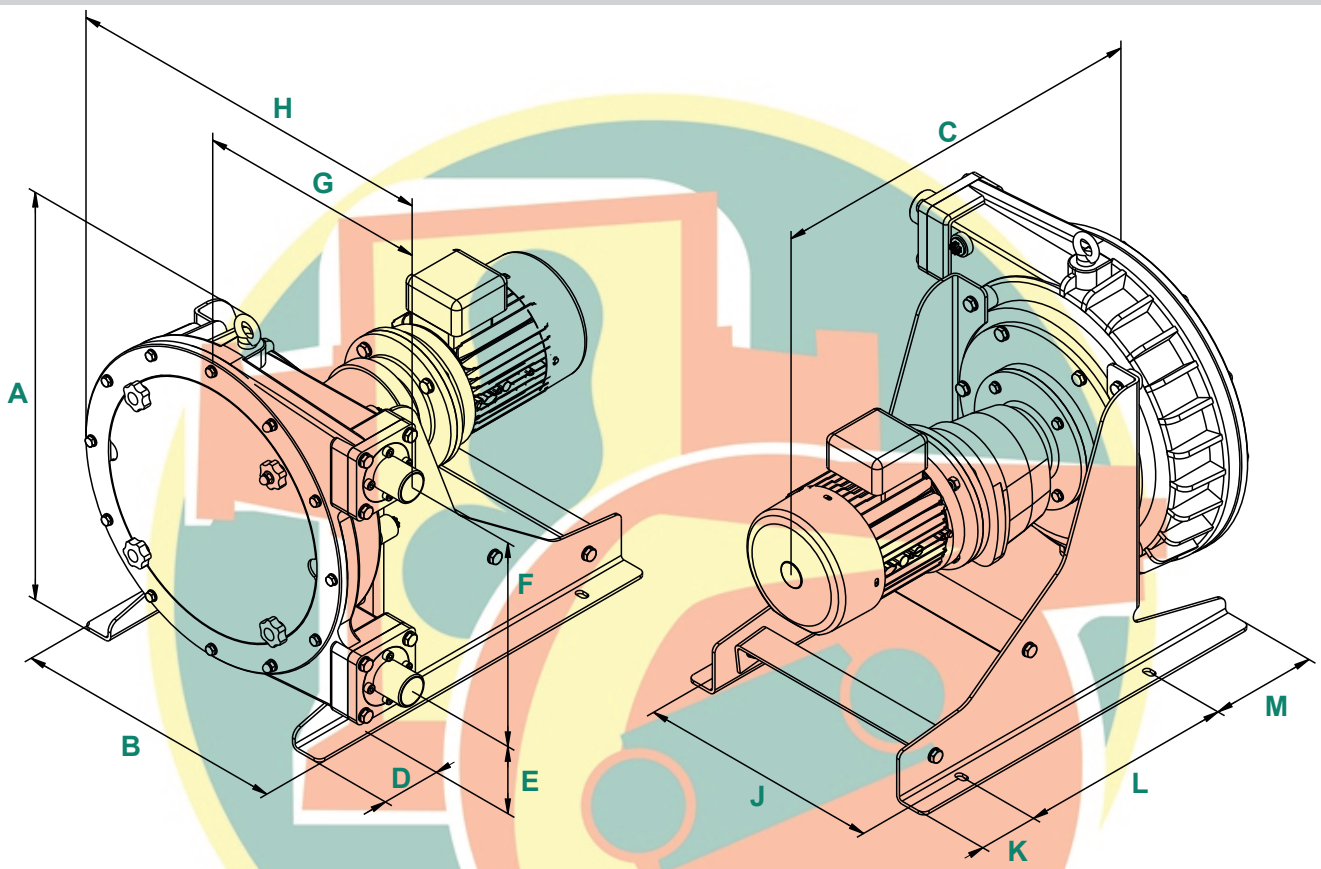
Capacity: 0,86 l/rev.
Connections: 1 1/2"
Max. Pressure: 8 bar
Rotor system: Rollers
Available hoses: NR
NBR
EPDM
HYPALON
NR-A
NBR-A
Available tubes: TPV



Pressure (bar)	Torque (Nm)
1	90
4	130
6	200
8	285



Description	Material	Surface treatment
Pump housing	Cast Iron EN-GJL-250	Polyester powder coated Halar coated (Optional)
Front cover	Steel F-111 / Polycarbonate	Polyester powder coated Halar coated (Optional)
Rotor	Nodular Cast Iron EN-GJL-400	Cataphoresis
Rollers	Steel F-114	Blueing
Base plate	Steel F-111 Stainless Steel AISI-304 (Optional)	Polyester powder coated --
Connections	Stainless Steel AISI-304 Polypropylene (Optional) PVDF (Optional)	--



A	B	C	D	E	F	G	H	J	K	L	M	Connections
580	440	*	78	126	330	316	555	400	95	345	170	1 ½" BSP

* To confirm according type and power driver.



Bombas Boyser, S.L.
c/ Miquel Martí i Pol, s/n Pol. Ind. Pla de la Costa
08182 Sant Feliu de Codines - **Barcelona** - Spain
Tel. +34 93 844 77 78 info@boyser.com

www.boyser.com

