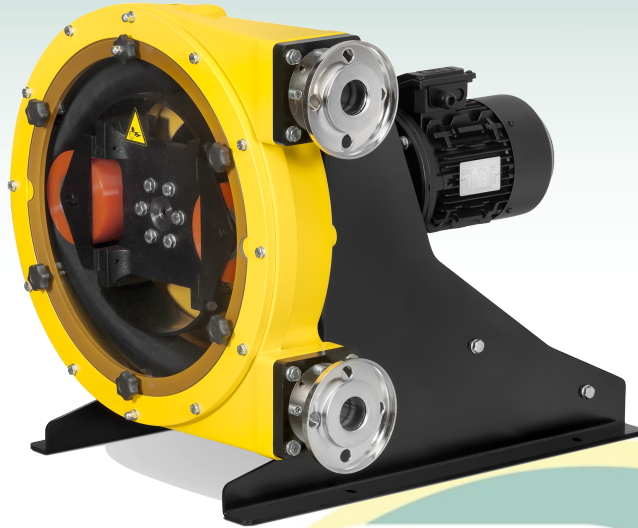


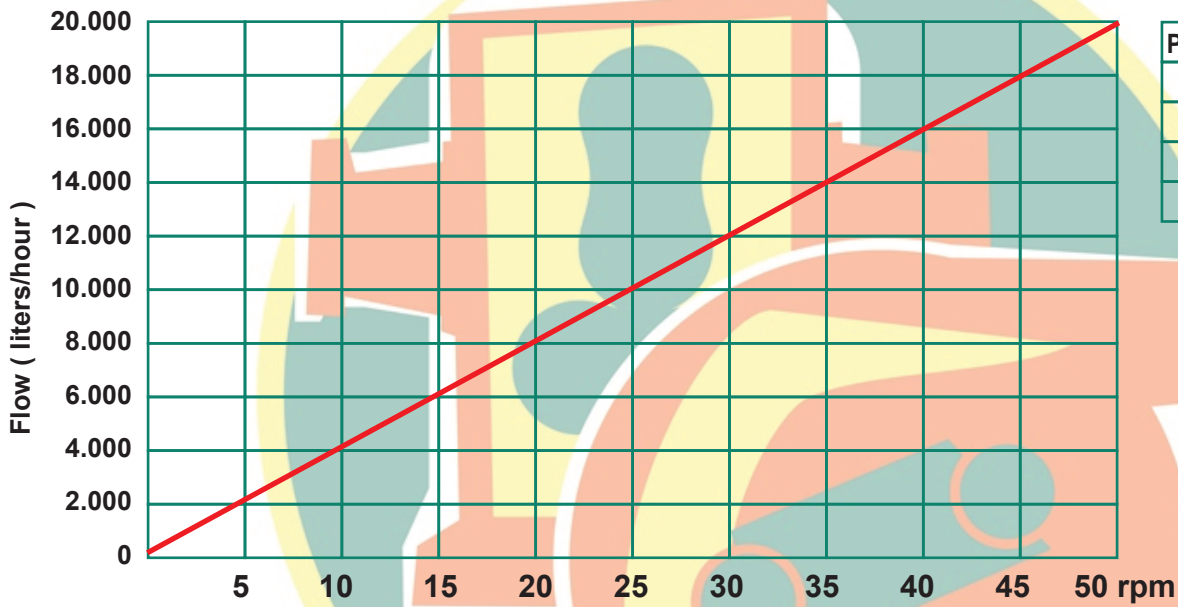


Industrial Peristaltic Pumps

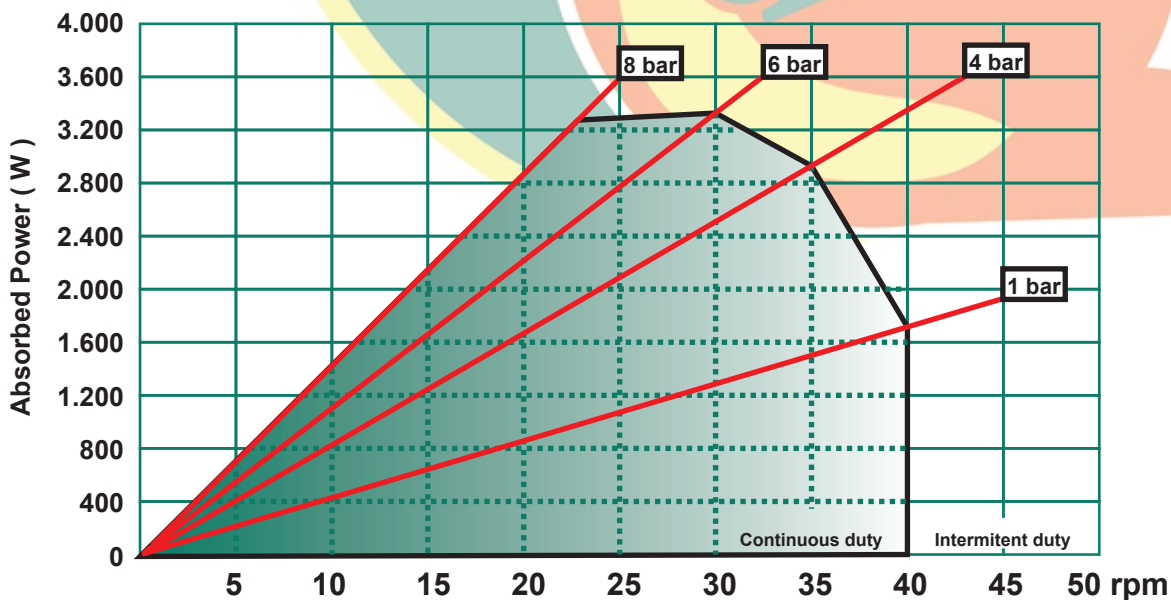
FMP-70/B Data sheet



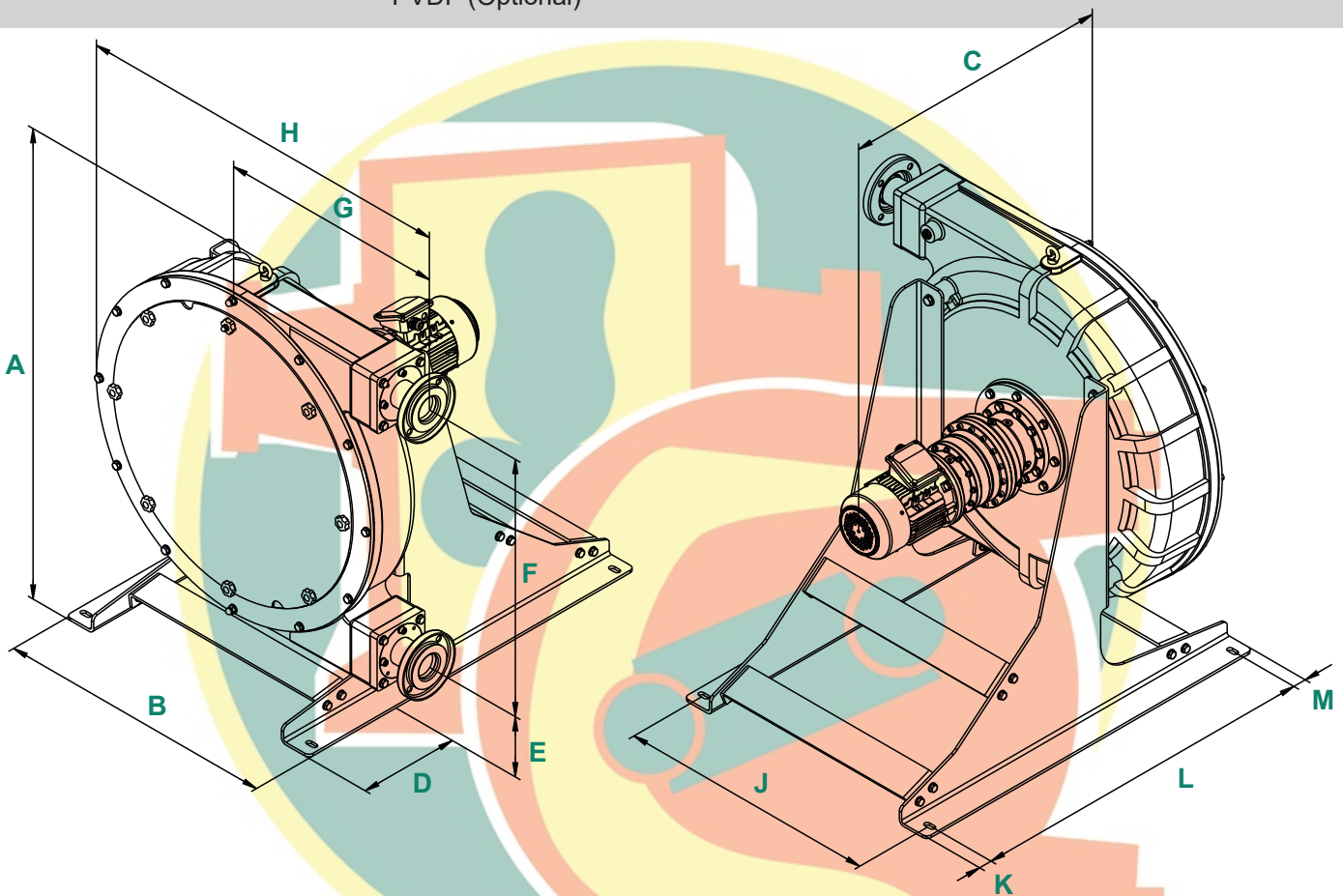
Capacity:	6,72 l/rev.
Connections:	DN-65
Max. Pressure:	8 bar
Rotor system:	Enlarged Rollers
Available hoses:	NR NBR EPDM HYPALON NR-A NBR-A



Pressure (bar)	Torque (Nm)
1	420
4	800
6	1100
8	1400



Description	Material	Surface treatment
Pump housing	Cast Iron EN-GJL-250	Epoxy primer + Polyurethane paint Halar coated (Optional)
Front cover	Steel F-111 / Polycarbonate	Polyester powder coated Halar coated (Optional)
Rotor	Nodular Cast Iron EN-GJL-400	Cataphoresis
Rollers	Steel F-114 + Polyurethane	--
Base plate	Steel F-111 Stainless Steel AISI-304 (Optional)	Polyester powder coated --
Connections	Stainless Steel AISI-304 Polypropylene (Optional) PVDF (Optional)	--



A	B	C	D	E	F	G	H	J	K	L	M	Connections
1170	854	*	250	240	784	600	1083	794	40	1065	40	DIN DN65

* To confirm according type and power driver.



Bombas Boyser, S.L

c/ Miquel Martí i Pol, s/n - Pol. Ind. Pla de la Costa
08182 Sant Feliu de Codines - Barcelona - Spain

Tel. +34 93 844 77 78 info@boyser.com

www.boyser.com

