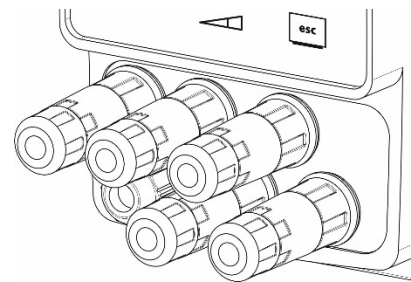


TECHNICAL CHARACTERISTICS

- Flow rates: from 4 to 110 l/h
- Max back pressure: up to 20 bar
- Power supply:
 - 100÷240 Vac - 50/60 Hz
- Stroke rate: from 160 to 300 strokes/minute
- Pump head: PVDF
- Diaphragm: PTFE
- External Enclosure: PP reinforced with fiber glass protection degree IP65
- Manually priming valve
- External connectors for all signal input



Seko Tekba EMG Series is a digital dosing pump with constant flow rate, which is manually adjustable by a keyboard (frequency) and proportional flow rate according to an external analogic (4-20 mA) or digital signal (water meter, 1:n or n:1).

- Timer function
- ppm proportional dosing
- Statistics
- Password
- Input On-Off (remote control)

Also with this pump, with only 4 sizes, is possible to cover a wide range of performances, having a flow rate range from 4 to 110 l/h and a back pressure from 0.1 to 20 bar. The power supply is 100÷240 Vac – 50/60 Hz, therefore the same pump can operate with different supply voltage. The standard pump head is in PVDF, therefore high chemical compatibility with several liquids end. Also Tekba EMG Series is equipped with a manually priming pump for the start up. All the Tekba pumps uses convenient connectors external to the pump for signal input, in order to avoid opening the pump to making connections.

The pump is furnished with a complete standard installation kit, which includes: PVDF foot filter and injection valve, PVC suction tube, PE delivery tube.

DOSING PUMP

TEKBA EMG SERIES – Solenoid Dosing Pump



PUMP KEY CODE

Field 1	Field 2	Field 3	Field 4	Field 5	Field 6	Field 7	Field 8	Field 9	Field 10	Field 11
EMG	603	M	N	H	H	0	0	B	0	0

Field 1	model
Field 2	hydraulics
Field 3	stroke reg.
Field 4	power supply
Field 5	liquid end
Field 6	installation kit
Field 7	seals
Field 8	market
Field 9	colour
Field 10	optional
Field 11	customization

Field 1	model
---------	-------

EMG

Field 2	hydraulics	bar	I/h
	600	20	5
	603	12	4
	800	16	7
	803	5	20

Field 3	str. length reg.
---------	------------------

N NO

Field 4	power supply
---------	--------------

N 100÷240 Vac

Field 5	liquid end	Body	Connections	Balls	Diaphragm
	H	PVDF	PVDF	Ceramic	PTFE

Field 6	installation kit
---------	------------------

H PVDF

Field 7	seals
---------	-------

0 FPM
1 EPDM

Field 8	market
---------	--------

0 standard

Field 9	colour	electronic	hydraulic
	B standard	RAL5010	RAL7004

Field 10	optional
----------	----------

0 standard

Field 11	customization
----------	---------------

0 standard

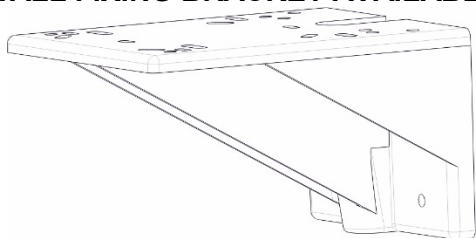
Your Choice,
Our Commitment

HYDRAULIC CHARACTERISTICS

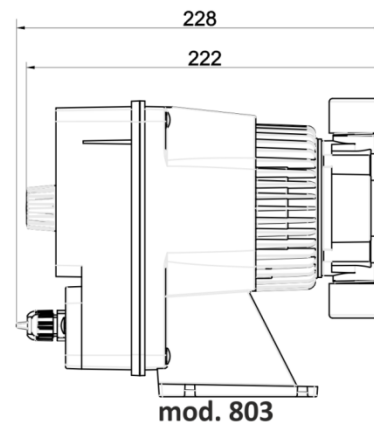
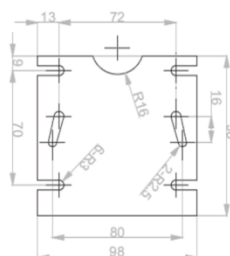
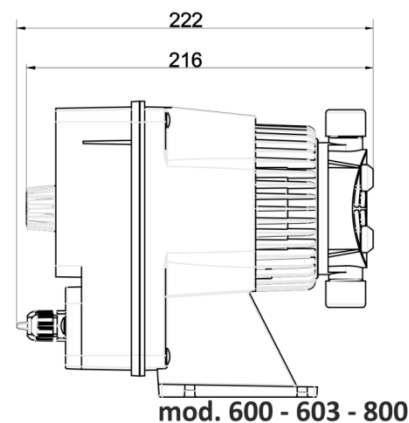
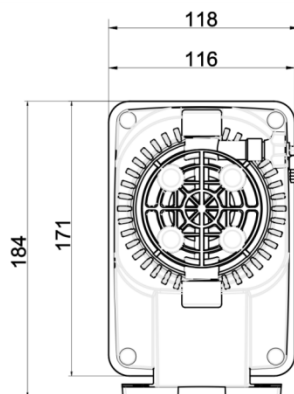
Pump Model	Pressure [bar]	Flow Rate [l/h]	Frequency max [stroke/min]	Stroke capacity [cc/stroke]	Connection [mm]		Power supply	Consumption [W]	
					Suction	Discharge		Min	Max
EMG 600	20	5,0	200	0,42	4/6	4/7	100÷240 Vac	14,0	19,0
	18	6,0		0,50					
	14	7,0		0,58					
	8	9,5		0,79					
EMG 603	12	4,0	160	0,42	4/6	4/6	100÷240 Vac	17,0	22,0
	10	5,0		0,52					
	8	6,0		0,63					
	2	8,0		0,83					
EMG 800	16	7,0	300	0,39	4/6	4/6	100÷240 Vac	22,0	33,0
	10	10,0		0,56					
	5	15,0		0,83					
	1	18,0		1					
EMG 803	5	20,0	300	1,11	8/12	8/12	100÷240 Vac	29,0	37,0
	4	32,0		1,78					
	2	62,0		3,44					
	0,1	110,0		6,11					

*Minimum consumption at 0 bar of back pressure (Patented)

WALL FIXING BRACKET AVAILABLE



DIMENSIONS



INSTALLATION KIT

- PVDF foot filter
- PVDF injection valve
- PVC suction tube (4 m)
- PE delivery tube (2 m)

PVDF

●
●
●
●

DOSING PUMP

TEKBA EMG SERIES – Solenoid Dosing Pump

